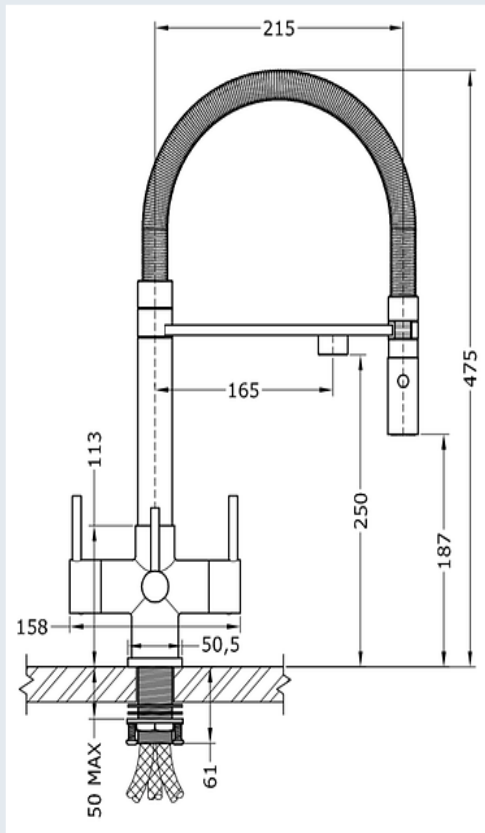


## Technical Information



### Features

Two way spray hose which can be removed from the holder.

Dedicated filtered water outlet.

Quarter turn ceramic valves and cartridges.

Spout connection anti-wobble nylon guide ring.

Double pair of spout O-rings.

Solid fix installation kit.

Flexible hoses 450mm long c/w non return valves.

### Specifications

Body and main components manufactured from brass.

Maximum water pressure 5.5bar. Recommended minimum 1.0bar

Two lever hot & cold water flow 3.10 lpm, mixed water 6.10 lpm @ 0.5bar

Three lever hot & cold water flow 3.20lpm, mixed water 6.10 lpm @ 0.5bar

### Controls

All Acquapuro three lever mixers have been designed so that the hot water is operated by the left hand lever, cold water by the right hand lever and either filtered or hard water being conveyed by the middle lever.