

FWL COTTAGE TAP

THREE WAY TAP



Cottage in
Brushed Brass
Finish
Part # 518114



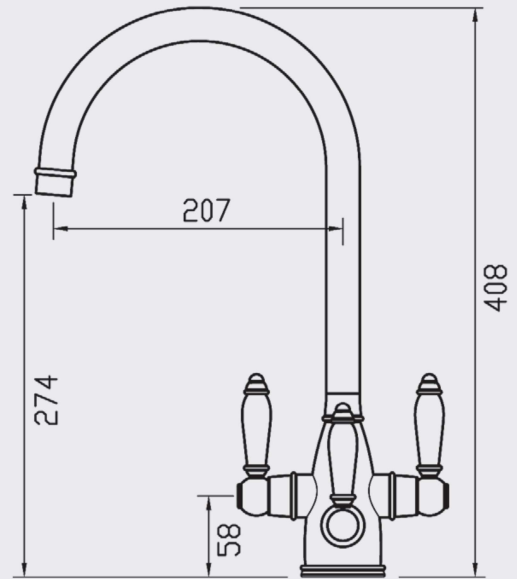
Chrome Plated finish
Part # 518116



Brushed Bronze Finish
Part # 518118



Brushed Nickel Finish
Part # 518120



SPECIFICATIONS

Minimum Water Pressure 0.5 Bar.

Normal operating pressure range
1.0 – 5.0 Bar.

Max Temp 70°C.

Hole required is standard 35mm
diameter.

Supplied with Connection Hoses
as standard for ease of installation.

PVD COATING on Brushed Brass
and Brushed Nickel finishes to
help withstand surface damage
and improve hygiene.