

FWL DOLOMITE - PULL OUT SPRAY

THREE WAY TAP WITH PULL OUT SPRAY



Dolomite in
Brushed Brass Finish
Part # 518122



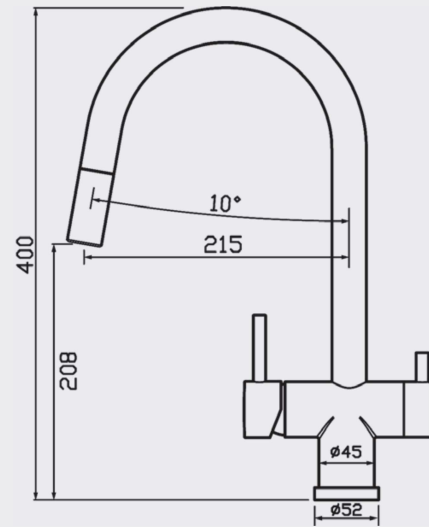
Chrome Plated finish
Part # 518124



Matt Black Finish
Part # 518126



Brushed Nickel Finish
Part # 518128



SPECIFICATIONS

Minimum Water Pressure 1.5 Bar.

Normal operating pressure range
1.5 – 5.0 Bar.

Max Temp 70°C.

Pull out spray extends to 300mm.

Hole required is standard 35mm
diameter.



Supplied with Connection Hoses
as standard for ease of installation.

PVD COATING on Brushed Brass
and Brushed Nickel finishes to
help withstand surface damage
and improve hygiene.