

FWL MODERN TAP

THREE WAY TAP



Modern in
Brushed Brass Finish
Part # 518102



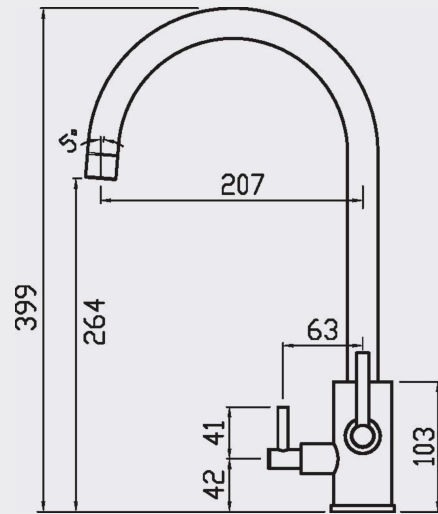
Chrome Plated finish
Part # 518104



Matt Black Finish
Part # 518106



Brushed Nickel Finish
Part # 518108



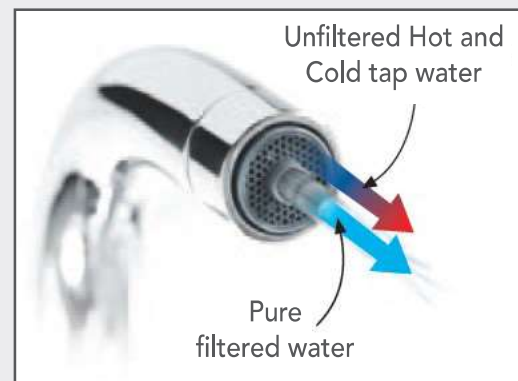
SPECIFICATIONS

Minimum Water Pressure 0.5 Bar.

Normal operating pressure range
1.0 – 5.00 Bar.

Max Temp 70°C.

Hole required is standard 35mm
diameter.



Supplied with Connection Hoses
as standard for ease of installation.

PVD COATING on Brushed Brass
and Brushed Nickel finishes to help
withstand surface damage and
improve hygiene.